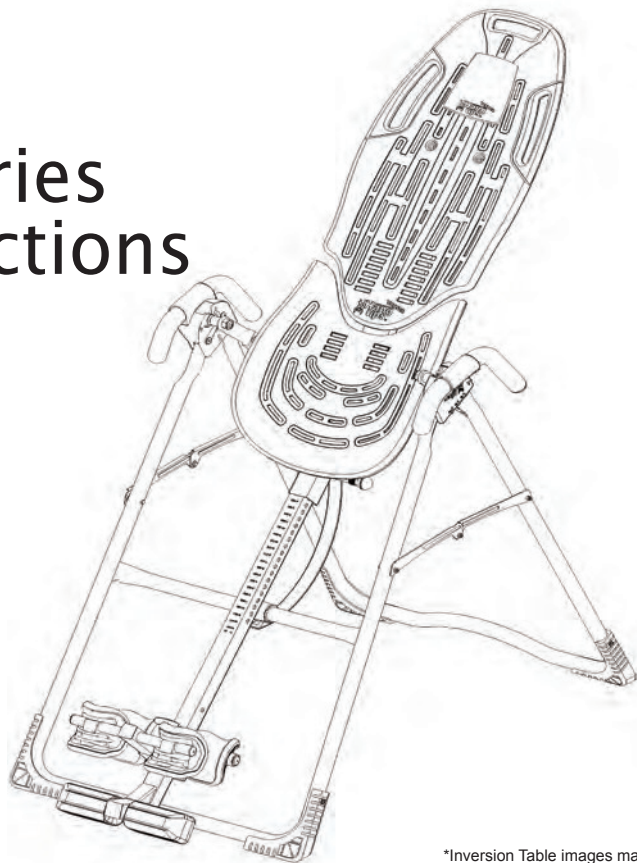




ComforTrak™ Series Assembly Instructions

EP-560, EP-860, EP-960 & EP-970 Models



*Inversion Table images may vary slightly from your model. The EP-560 is shown here.

BEFORE YOU BEGIN: Review all steps before beginning assembly and read all precautions before using the inversion table. Carefully adhere to the Assembly Instructions and Owner's Manual to help ensure safety and product integrity.

IMPORTANT SAFETY INSTRUCTIONS

READ ALL INSTRUCTIONS BEFORE USING THE INVERSION TABLE.

WARNING

WARNING - To reduce the risk of injury to persons:

- Read and understand all the instructions, view the instructional video, review all other accompanying documents, and inspect the equipment before using the inversion table. It is your responsibility to familiarize yourself with the proper use of this equipment and the inherent risks of inversion, such as falling on your head or neck, pinching, entrapment, or equipment failure. It is the responsibility of the owner to ensure that all users of the product are fully informed about the proper use of the equipment and all safety precautions.
- Close supervision is necessary when the inversion table is used near children, or by or near invalids or disabled persons.
- Use the inversion table only for its intended use as described in this manual. **DO NOT** use attachments not recommended by the manufacturer.
- **NEVER** drop or insert any object into any opening.
- **DO NOT** use or store product outdoors.
- **DO NOT** use if you are over 6 ft 6 in (198 cm) or over 300 lbs. (136 kg). Structural failure could occur or head/neck may impact the floor during inversion.
- **DO NOT** allow children to use this machine.
- Keep children, bystanders, and pets away from machine while in use.
- Keep body parts, hair, loose clothing and jewelry clear of all moving parts.
- The inversion table has no user serviceable parts.
- This product is intended for indoor home use only. **DO NOT** use in any commercial, rental or institutional setting.

FAILURE TO FOLLOW INSTRUCTIONS AND WARNINGS COULD RESULT IN SERIOUS INJURY OR DEATH.

SAVE THESE INSTRUCTIONS

BEFORE YOU BEGIN: Review all steps before beginning assembly and read all precautions before using the inversion table. Carefully adhere to the Assembly Instructions and Owner's Manual to help ensure safety and product integrity.

IMPORTANT SAFETY INSTRUCTIONS

READ ALL INSTRUCTIONS BEFORE USING THE INVERSION TABLE.

WARNING

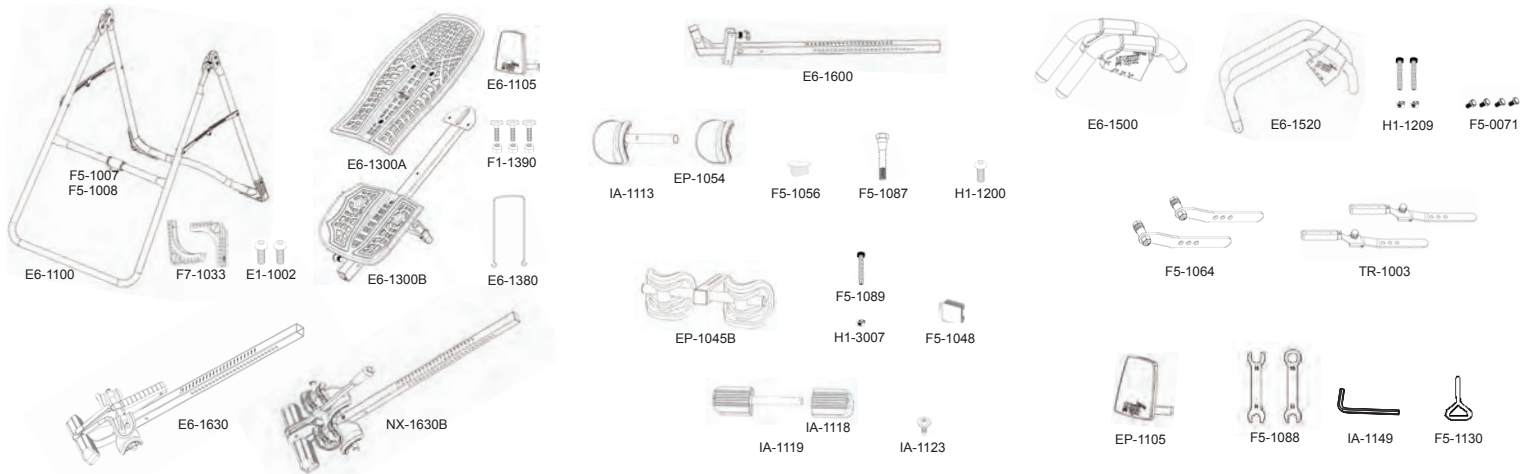
- **DO NOT** use the equipment without a licensed physician's approval and a review of the medical contraindications, as noted in the Owner's Manual.
- Failure to assemble and/or use the equipment as directed may void the manufacturer's warranty on this product and could result in injury or death.
- Choose a level surface for assembling and operating the table.
- Follow each step in sequence. **DO NOT** skip ahead.
- Make sure that all fasteners are secure.
- **ALWAYS** test and inspect the table. Make sure the table rotates smoothly to inverted position and back.
- **ALWAYS** replace defective components immediately and/or keep the equipment out of use until repair.

FAILURE TO FOLLOW INSTRUCTIONS AND WARNINGS COULD RESULT IN SERIOUS INJURY OR DEATH.

SAVE THESE INSTRUCTIONS

Items for Assembly

ITEMS FOR ASSEMBLY	ITEM NUMBER	ITEMS FOR ASSEMBLY	ITEM NUMBER	ITEMS FOR ASSEMBLY	ITEM NUMBER
A-Frame	E6-1100	<i>This column is ONLY for the Assembly of the Main Shaft with T-Pin Ankle Lock System (E6-1600)</i>	E6-1600	Handle Assembly	
Angle Tether <i>(EP-560 models)</i>	F5-1007			Stretch Assist™ Handles (2) <i>(EP-560 models only)</i>	E6-1500
EZ-Angle™ Tether <i>(EP-860, EP-960, EP-970)</i>	F5-1008	Main Shaft with T-Pin Ankle Lock System		Stretch Max™ Handles (2) <i>(EP-860, EP-960, EP-970)</i>	E6-1520
Stability Feet (2) <i>May come pre-assembled</i>	F7-1033	<i>(for EP-560 models, EP-860 only)</i>		Bolts & Nuts (2) <i>(EP-860, EP-960, EP-970 ONLY)</i>	H1-1209
Screws (2)	E1-1002	Rear Ankle Bar	IA-1113	Allen Head Screws (4) <i>May come pre-assembled</i>	F5-0071
Table Bed		Rear Heel Cup <i>(one pre-assembled, one separate)</i>	EP-1054	Roller Hinge Assembly	
Upper Bed Portion	E6-1300A	Rubber Plug (1)	F5-1056	3-Hole Roller Hinges (2) <i>(EP-560, EP-560 Ltd. EP-860)</i>	F5-1064
Lower Bed Portion & Frame	E6-1300B	Bolt/Nut (1)	F5-1087	Traction Handle 3-Hole Roller Hinges (2)	TR-1003
Head Pillow	E6-1105	Screw (1)	H1-1200	<i>(EP-560 Sport, EP-960, EP-970)</i>	
Bolts & Nuts (3)	F1-1390	Front Ankle Bar	EP-1045B	Tools	
ComforTrak™ Bed Frame Extension	E6-1380	Bolt (1)	F5-1089	10/13mm Wrenches (2)	F5-1088
Main Shaft with EZ-Reach™ Ankle Lock System	E6-1630	Nut (1)	H1-3007	<i>Packaged with the Roller Hinge Assembly</i>	
<i>(for EP-960 model only)</i>		End Cap (1)	F5-1048	5mm Allen Wrench	IA-1149
Main Shaft with Deluxe EZ-Reach™ Ankle Lock System	NX-1630B	Ankle Comfort Dial Bar	IA-1119	Screwdriver	F5-1130
<i>(for EP-970 model only)</i>		Ankle Comfort Dials (2) <i>(one pre-assembled, one separate)</i>	IA-1118		
		Screw (1)	IA-1123		

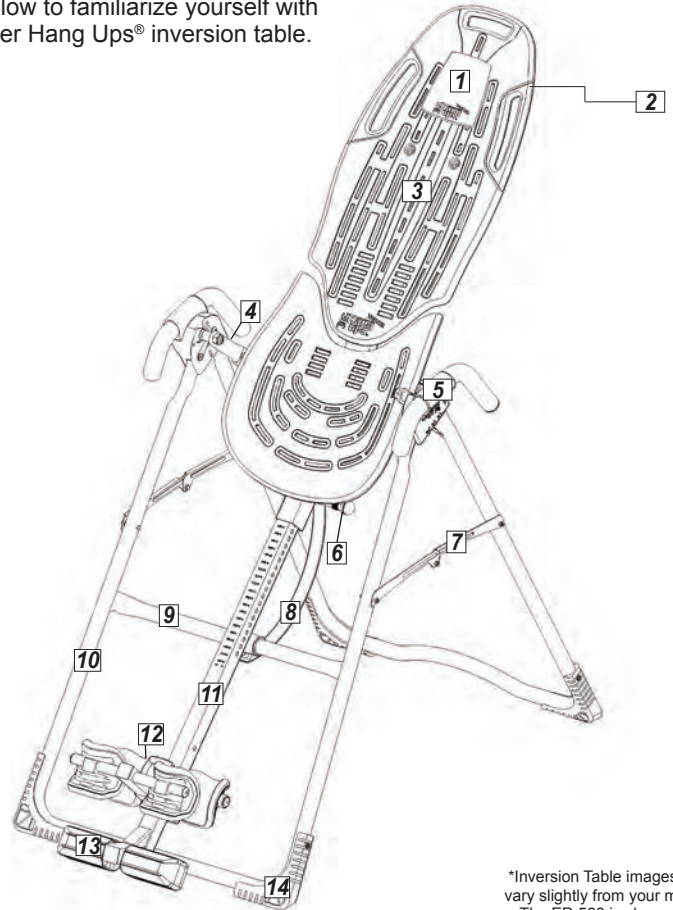


Items are not shown to scale.

BEFORE BEGINNING

Before reading further, study the drawing below to familiarize yourself with the important components of your new Teeter Hang Ups® inversion table.

1	Head Pillow	8	Angle Tether
2	Bed Frame Extension	9	Crossbar
3	ComforTrak™ Table Bed	10	A-Frame
4	3-Hole Roller Hinges	11	Main Shaft
5	Handles	12	Ankle Lock System
6	Height-Selector Locking Pin	13	Ankle Comfort Dial™
7	Spreader Arms	14	Stability Feet



What Model Do You Own?

Important: Please locate the model of your Teeter inversion table before assembly.

The model can be found on A) the exterior of the box, or B) the serial label located on the back of the table bed.

My Serial Number:

Don't forget to register your warranty at teeter-inversion.com

*Inversion Table images may vary slightly from your model. The EP-560 is shown here.

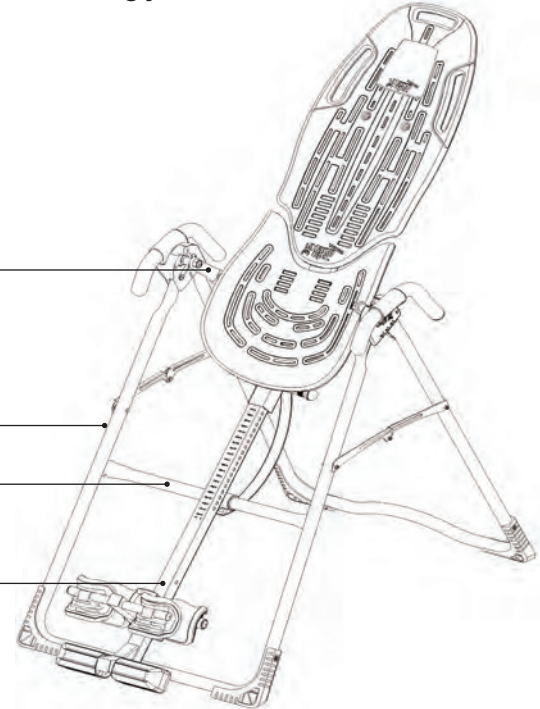
WARNING LABEL PLACEMENT

Important: Please review all labels and supporting materials before using your inversion table.

This drawing indicates the locations of the warning labels found on your product.

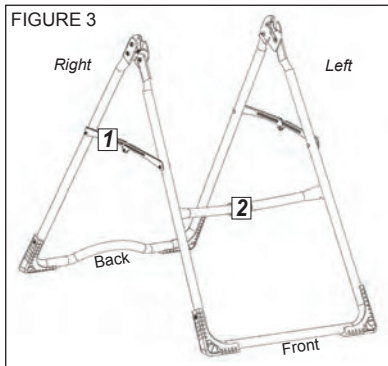
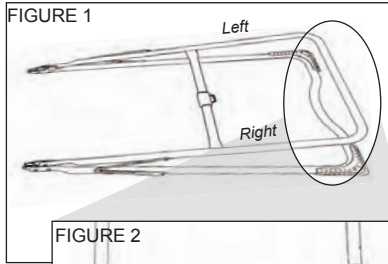
If a label is missing, illegible or is removed, contact Customer Service at the phone number or website found at the bottom of this page to request a complimentary replacement label.

Note: Image and labels below not shown at actual size.



*We hope you enjoy your new Teeter Hang Ups Inversion Table!
If you have any questions, please contact our Customer Service Department at 1.800.847.0143 or www.teeter-inversion.com.*

Step 1



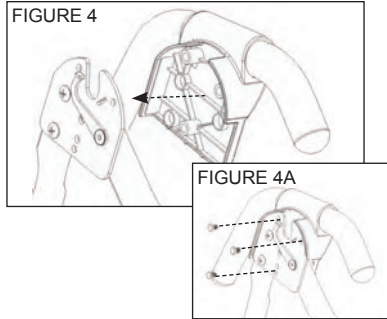
- 1 Spreader Arms
- 2 Crossbar

Assemble the front Stability Feet (F7-1033) onto the A-Frame (E6-1100) *Feet may come pre-assembled.*

- Lay the A-Frame on the floor with the Crossbar on the top side (Figure 1) to assemble the front Stability Feet.
- Select the Stability Foot labeled Number 1 on the inside and place it on the RIGHT side of the A-Frame. Insert two of the Screws (E1-1002), one through the side and one through the bottom (Figure 2). Tighten using the Screwdriver (F5-1130) provided.
- Repeat with the Stability Foot labeled Number 2 on the LEFT side (Figure 2).
- Position the A-Frame on its feet and open it so the Spreader Arms are locked (Figure 3).
- Familiarize yourself with the Front, Back, Left and Right of the A-Frame. You may want to refer back to this diagram for reference throughout the assembly process.

Step 2

EP-560, EP-560 Sport & EP-560 Limited Models



Depending on the model you have purchased, the items in this step will vary. See “Which Model Do you Own?” (page 4) for more information.

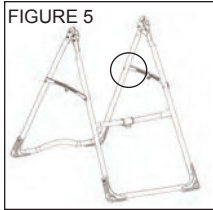
Assemble the Handles to the Table Bed (EP-1300)

Bolts/Nuts may come pre-assembled in the Handles. Simply unscrew to remove.

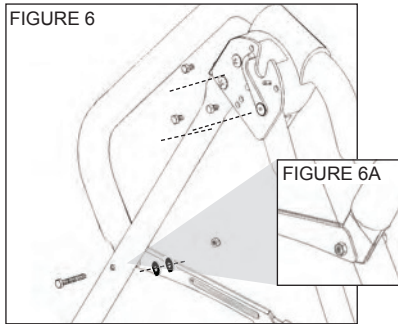
EP-560 models: Assemble the Stretch Assist Handles (E6-1500)

- Place each Handle (left / right) over the outside edge of the corresponding Hinge Plate. The handles are stamped with an “L” for Left and an “R” for Right, this can be found on the interior of the handle (Figure 4).
- Insert three Allen Head Bolts ((F5-0071) through the Hinge Plate into each Handle (Figure 4A). Tighten with the Allen Wrench provided, being careful not to overtighten.

Step 2 *(continued)*



EP-860, EP-960, EP-970 Models



Assemble the Handles to the Table Bed (EP-1300)

Bolts/Nuts may come pre-assembled in the Handles. Simply unscrew to remove.

EP-860, EP-960 & EP-970: Assemble the Stretch Max Handles (E6-1520)

- Assemble one side at a time. It does not matter which side (left / right) you start with.
- Using the 10/13mm Wrench (F5-1088), remove the Bolt, Nut and three Washers from where the Spreader Arm meets the rear of the A-Frame (Figure 5). Discard the Bolt and Nut, but keep one of the Washers.
- Place the corresponding Handle (left / right) over the outside edge of the Hinge Plate (refer to Figure 6).
- Insert and loosely hand-tighten the three Allen Head Bolts ((F5-0071) through the Hinge Plate into the handle (Figure 6).
- Position the lower part of the Handle between the Spreader Arm and the A-Frame leg. Thread one Washer on the Bolt and insert from the inside of the A-Frame. Make sure the Bolt goes through the A-Frame leg, Handle and Spreader Arm. Thread one Washer on the end and secure with the Nut (Figure 6). Refer to Figure 6A for how the finished assembly of this should look.
- Fully tighten all Bolts, using the Allen Wrench provided, being careful not to overtighten.
- Repeat on the other side.

Step 3

FIGURE 7

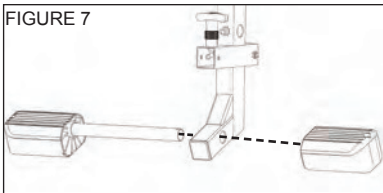


FIGURE 7A

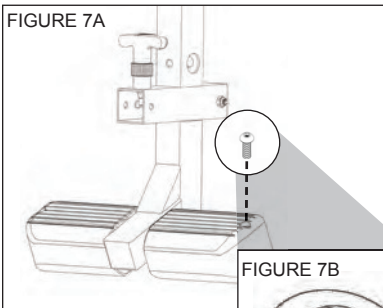
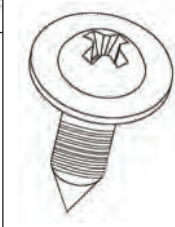


FIGURE 7B



Depending on the model you have purchased, the items in this step will vary. See “Which Model Do you Own?” (page 4) for more information.

EP-560 models & EP-860: Complete this step.

EP-560 Sport: Complete this step to use the standard Ankle Lock System. To use with the EZ-Up Gravity Boots refer to either the ComforTrak DVD or the insert that can be found with the Conversio Bar.

EP-960 & EP-970: Skip this step and proceed directly to Step 4.

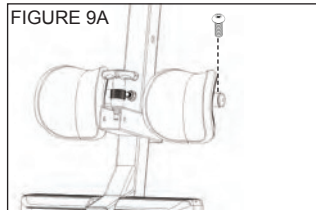
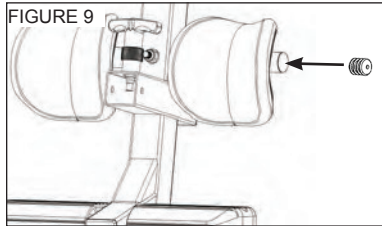
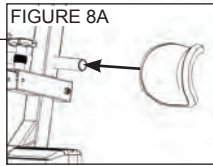
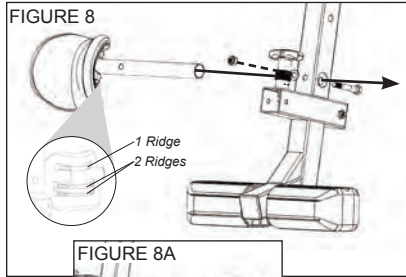
Assemble the T-Pin Ankle Lock System onto the Main Shaft (E6-1600)

Install the Ankle Comfort Dial

- Slide the Ankle Comfort Dial Bar (IA-1119) with pre-assembled Ankle Comfort Dial into the hole at the front base of the Main Shaft (Figure 7).
- The Ankle Comfort Dial is designed with a High and Low setting. Position the pre-assembled Dial in the Low Setting (screw holes facing up) for ease of assembly. Slide the separate Ankle Comfort Dial (IA-1118) onto the Ankle Comfort Dial Bar.
- Insert the Screw (IA-1123) (Figure 7A) and tighten with the Screwdriver (F5-1130) provided. See Figure 7B for detailed view of Screw (IA-1123).

NOTE: Refer to the Owner’s Manual for a complete description of the Ankle Comfort Dial settings.

Step 3 *(continued)*



Install the Rear Ankle Bar Assembly

- With the two ridges of the pre-assembled Heel Cup on the bottom, insert the Rear Ankle Bar (IA-1113) into the large hole at the back of the Main Shaft (Figure 8).
- Insert the Bolt (F5-1087) from the rear of the Main Shaft to secure the Rear Ankle Bar (Figure 8), and fasten with the Washer and Nut using the wrenches provided.
- Slide the separate Heel Cup (EP-1054), with the two ridges on the bottom, onto the open end of the Rear Ankle Bar (Figure 8A).

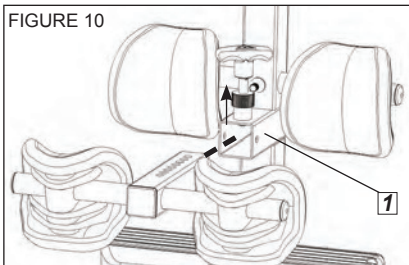
TIP: To assist with assembly, repeatedly rotate the Heel Cup while pushing it onto the Rear Ankle Bar.

- Align the pre-drilled holes of the Rubber Plug with the holes in the Rear Ankle Bar. Insert the Rubber Plug (F5-1056) into the open end of the Rear Ankle Bar (Figure 9).

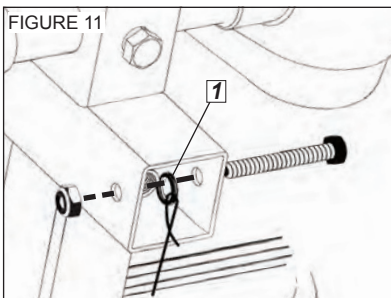
TIP: You may want to use a rubber mallet to assist with assembly.

- Secure the Rubber Plug with the Screw (H1-1200) using the Screwdriver (F5-1130) provided (Figure 9A). If the Screw does not tighten easily, you may need to reposition the alignment of the Rubber Plug.

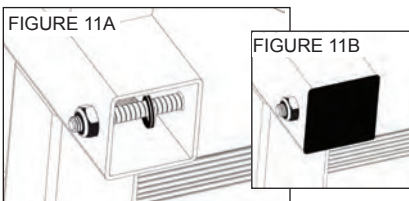
Step 3 *(continued)*



1 Front Ankle Bar Housing



1 Retainer Spring & Cable Loop



Install the Front Ankle Bar Assembly

- With hole settings facing up, insert the Front Ankle Bar (EP-1045B) into the Front Ankle Bar Housing (Figure 10). Pull up on the T-Pin Lock to allow the Front Ankle Bar to insert all the way into the housing. Release the T-Pin to engage in the hole setting closest to the Front Ankle Cups.
- From the reverse side, pull on the zip-tie to stretch the Retainer Spring and Cable Loop so that they align with the holes in the back of the Front Ankle Bar Housing (Figure 11).
- Insert the Bolt (F5-1089) starting through the outer side of the housing in the following order: hole, Retainer Spring and Cable Loop, hole (Figure 11).
- Tighten the Nut (H1-3007) using the 13mm Open Wrench (F5-1088) provided.
- Cut the long portion of the zip-tie with scissors (Figure 11A) so that it doesn't interfere with the function of the Retainer Spring. Cover the open end with the End Cap (F5-1048) (Figure 11B).

WARNING

Failure to assemble the T-Pin Ankle Lock System properly could result in serious injury or death!

Step 4

FIGURE 12

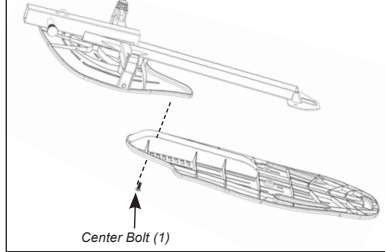
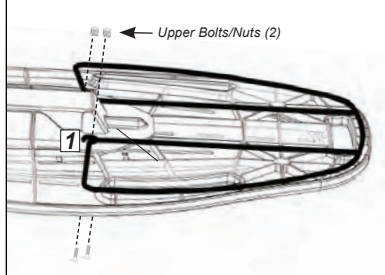
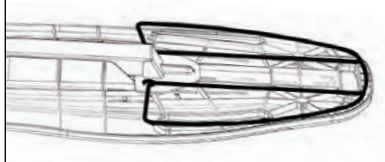


FIGURE 13



1 Bed Frame Extension - Loop

FIGURE 14



Assemble the Table Bed (E6-1300) and Bed Frame Extension (E6-1380)

NOTE: This assembly will be referred to as Table Bed (E6-1300) for the remainder of the Assembly Instructions.

- Locate the following items to assemble the Table Bed:

ComforTrak™ Bed - Upper Portion (E6-1300A)

Bed Frame Extension (E6-1380)

5mm Allen Wrench (IA-1149)

ComforTrak™ Bed Frame (E6-1300)

Bolts & Nuts (F1-1390)

10/13mm Wrench (F5-1088)

- Lay the ComforTrak™ Bed - Upper Portion (E6-1300A) face down on the floor.
- Place the ComforTrak™ Bed Frame (E6-1300) face down on top of the Upper Portion and align the bolt holes.
- Reaching underneath, insert a Bolt in the center hole and hand-tighten with a Nut (Figure 12).
- Reaching underneath, insert one of the remaining Bolts through one of the holes in the Upper Portion and hold in place. Slide one of the Bed Frame Extension loops over the Bolt and hand-tighten with a Nut (Figure 13).
- Repeat with remaining side (Figure 14).
- To fully tighten all three nuts to the bolts, insert the 5mm Allen Wrench (IA-1149) into the Bolt heads and tighten the Nuts using the 10/13mm Wrench (F5-1088).

Step 5

FIGURE 15

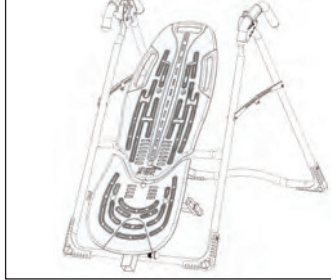
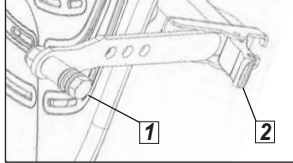
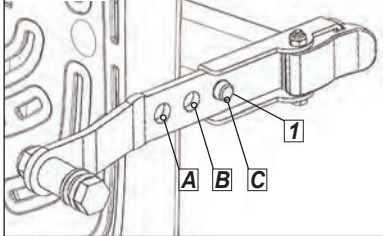


FIGURE 16



- 1 Pivot Pin
- 2 Cam Lock

FIGURE 17



- 1 Bracket Pin

Depending on the model you have purchased, the items in this step will vary. See "Which Model Do you Own?" (page 4) for more information.

Assemble the Roller Hinges to the Table Bed (EP-1300)

EP-560, EP-560 Ltd. & EP-860: Use 3-Hole Roller Hinges (F5-1064)

EP-560 Sport, EP-950 & EP-970: Use 3-Hole Roller Hinges with Traction Handles (TR-1003)

- For ease-of-assembly, rest the Table Bed against the Crossbar (Figure 15).
- Open the Cam Locks on each side of the Table Bed (Figure 16).
- With the Pivot Pins facing outward, insert the Roller Hinges into the brackets on each side of the Table Bed Assembly. The Roller Hinges must slide between the Cam Locks and the Brackets (Figure 16).
- Engage one of the holes in the Roller Hinge over the Bracket Pin. Make sure the Roller Hinges are in the same hole setting on both sides. Figure 17 shows the Roller Hinges engaged correctly, with the Bracket Pin engaged in Setting C.
- Push down on the Cam Locks (Figure 18) to secure the Roller Hinges.

NOTE: Refer to the Owner's Manual for an explanation of the hole settings. If you are unsure, use Setting C to start.

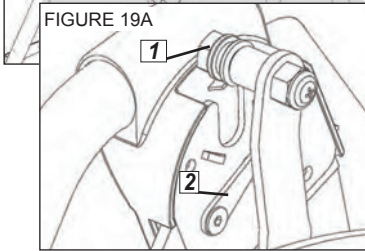
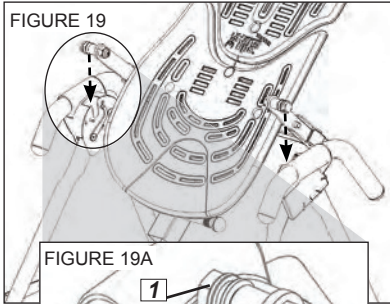
FIGURE 18



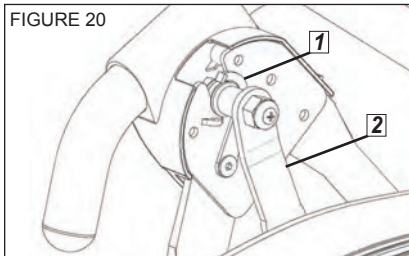
! WARNING

NEVER disassemble the Roller Hinge.

Step 6



- 1 Roller Hinge Pivot Pin
- 2 Self-Locking Hook



- 1 Self-Locking Hook
- 2 Roller Hinge

Attach the Table Bed (E6-1300) to the A-Frame (E6-1100)

- Pick up the Table Bed, holding each side near the Roller Hinges, and stand in front of the A-Frame where the Crossbar is located (refer to Figure 3 to determine A-Frame Front).
- Lower each Roller Hinge Pivot Pin into the A-Frame hinge plates, one side at a time (Figures 19 and 19A). With pressure, the Self-Locking Hooks will open to allow the Pivot Pin into the slot, then automatically close over the Pivot Pin.

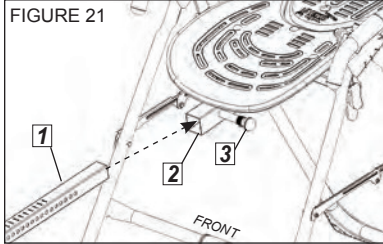
NOTE: You may need to push outward on the A-Frame in order for the 2nd Pivot Pin to lock in place.

- Make sure that each Pivot Pin is seated at the base of the slot of the Hinge Plate (Figure 20), that the Self-Locking Hooks have closed over both Pivot Pins, and that the Table Bed rotates smoothly.

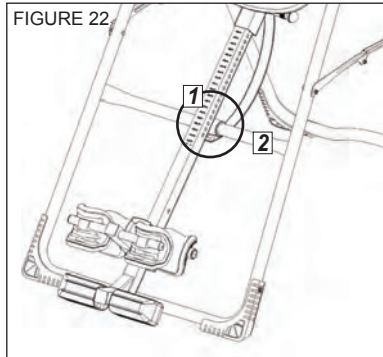
WARNING

Failure of the Self-Locking Hooks to close over both Roller Hinge Pivot Pins is an indication of improper assembly and if not corrected could result in serious injury or death!

Step 7



- 1 Main Shaft
- 2 Main Shaft Housing
- 3 Height-Selector Locking Pin



- 1 Proper Resting Position
- 2 Crossbar

Depending on the model you have purchased, the items in this step will vary. See “Which Model Do you Own?” (page 4) for more information.

Insert the Main Shaft into the Table Bed

EP-560 and EP-860 models will use the Main Shaft with T-Pin Ankle Lock System (E6-1600)

EP-960 model will use the EZ-Reach Ratchet Ankle Lock System (E6-1630)

EP-970 model will use the Deluxe EZ-Reach Ratchet Ankle Lock System (NX-1630B)

- With the Height Adjustment Settings on the Main Shaft facing up, slide the end of the Main Shaft into the Main Shaft Housing (Figure 21) on the Table Bed.
- Pull out the Height-Selector Locking Pin to allow the Main Shaft to slide in further and release in the desired height setting. Refer to the Owner’s Manual for more information on selecting your height setting.
- The Main Shaft **MUST REST** against the Crossbar of the A-Frame (Figure 22).

NOTE: *The Crossbar prevents the Table Bed from rotating forward when the user steps on the Ankle Comfort Dial. If the Main Shaft does not rest on the Crossbar as shown in Figure 23, then the Table Bed has been assembled backwards onto the A-Frame. This **MUST BE CORRECTED** before use.*

! WARNING

If your Teeter Hang Ups Inversion Table looks like either of these images, your table has been misassembled and is unfit for use. Improper assembly could result in serious injury or death!

Image A

Go back to Step 5 for instruction

Demonstrates that the Roller Hinges have been assembled upside down into the Table Bed and must be corrected.

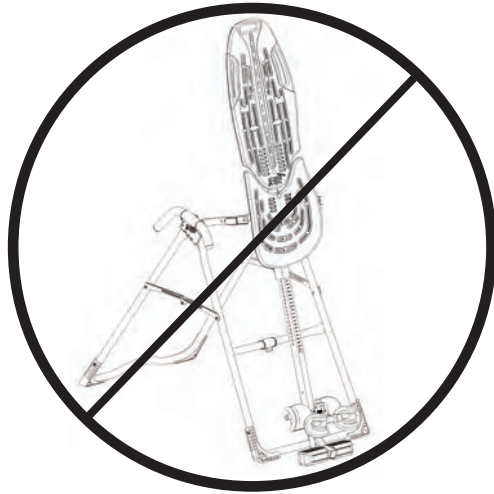


Image B

Go back to Step 6 for instruction.

Demonstrates that the Table Bed has been assembled into the A-Frame backwards and must be corrected.

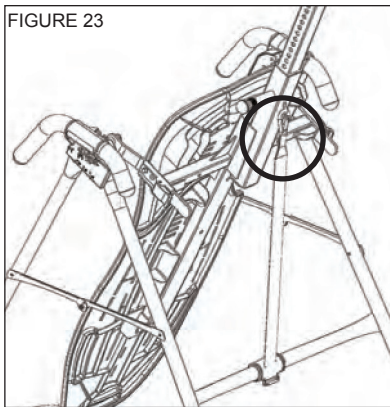


We hope you enjoy your new Teeter Hang Ups Inversion Table!

If you have any questions, please contact our Customer Service Department at 1.800.847.0143 or www.teeter-inversion.com.

Step 8

FIGURE 23



Depending on the model you have purchased, the items in this step will vary. See “Which Model Do you Own?” (page 4) for more information.

Assemble the Tether to the Table Bed (EP-1300)

EP-560 & EP-560 Sport: use the Angle Tether (F5-1007)

EP-860, EP-960 & EP-970: use the EZ-Angle Tether (F5-1008)

- The Tether will come pre-assembled to the A-Frame.
- Unfold the adjustable Tether and clip it to the U-Bar on the underside of the Table Bed (Figure 23).
- The EZ-Angle Tether has color coded angles to assist in varied angles of inversion for your experience level:

20° / Gentle Inversion

Green stripe must show in the center of the sliding buckle.

40° / Moderate Inversion

Orange stripe must show in the center of the sliding buckle.

60° / Intermediate Inversion

Red stripe must show in the center of the sliding buckle.

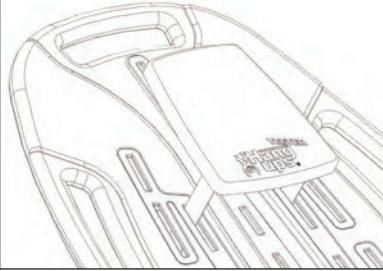
This is the angle when full decompression is realized.

90° / Advanced Inversion

Remove the tether strap clip from U-Bar to enable rotation to full inversion.

Step 9

FIGURE 24



Attach the Head Pillow (EP-1105)

- Attach the Head Pillow by securing the Velcro Straps through the holes in the Table Bed (Figure 24). The position of the pillow can be adjusted depending on the user.

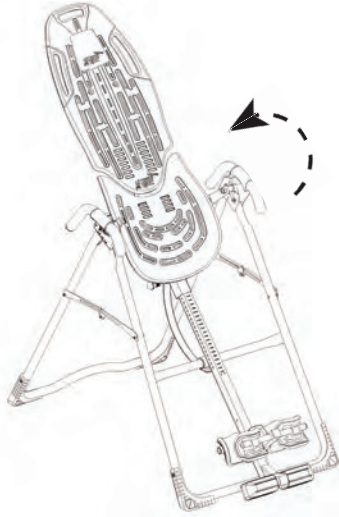
Attach the Owner's Manual

The Owner's Manual contains important information on how to use your Teeter Hang Ups, including how to personalize the user settings, properly secure and release the Ankle Lock System, and test and adjust the rotation control.

- If not already attached, thread the provided metal chain, provided, through the pre-punched hole in the upper corner of the Owner's Manual.
- Secure the chain to the A-Frame through the designated hole in the Hinge Plate (Figure 25). Allow the Owner's Manual to hang freely on the outside of the A-Frame Spread Arms so it doesn't interfere with the rotation of the Table Bed.

IMPORTANT: Do not remove the Owner's Manual. It should remain permanently attached to the A-Frame of your inversion table to serve as a reference for proper adjustment and use of the equipment.

FIGURE 25



Before Use

- Test the Inversion Table by hand for smooth and steady rotation (Figure 25) and that all fasteners are secure.
- Please complete the warranty registration online at www.teeter-inversion.com.

WARNING

Read the Owner's Manual thoroughly before using your Teeter Hang Ups Inversion Table. Improper settings could result in serious injury or death!

Adjusting the Roller Hinge Setting

FIGURE 26



FIGURE 27

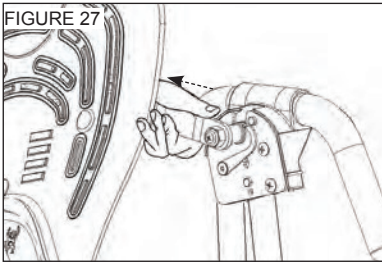
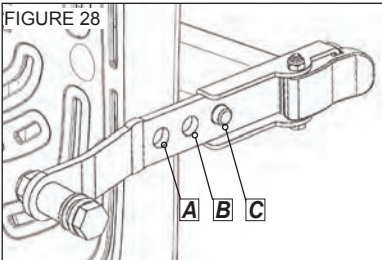


FIGURE 28



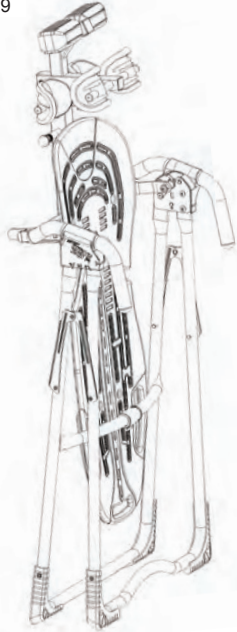
Adjustments: Changing the Roller Hinge Setting

To adjust the Roller Hinge setting, you'll need to fully remove the Table Bed from the A-Frame.

- Remove the Angle Tether from the U-Bar located on the underside of the Table Bed.
 - Pull the Height-Selector Locking Pin and slide the Main Shaft in all the way to the last hole setting.
 - Release and engage the Pin in the storage setting.
 - Rotate the Table Bed opposite from use until it has turned 180° and rests against the Crossbar of the A-Frame (Figure 26).
 - With palms up, reach under and around each Roller Hinge, using your thumbs to release the Self-Locking Hooks over the Pivot Pin (Figure 27).
 - Lift both sides of the Table Bed out of the A-Frame at the same time. TIP: Rest the head of the Table Bed on the floor for quick adjustment. Unlock the Cam Locks for each Roller Hinge. Change the Roller Hinges to the desired setting (A, B or C).
- NOTE:** Refer to the Owner's Manual for more information on finding your Roller Hinge Setting.
- Re-lock the Cam Locks (Figure 28). Replace the Table Bed onto the A-Frame by lowering the Roller Hinges into the hinge plates of the A-Frame.
 - Rotate the Table Bed back to the use position and re-adjust the Main Shaft height settings for use.

Maintenance/ Storage

FIGURE 29



Maintenance

- To clean the Inversion Table, wipe down with a damp cloth. Do not use abrasive cleaners or solvents.

Storage

- Remove the Angle Tether from the U-Bar located on the underside of the Table Bed.
- Pull the Height-Selector Locking Pin and slide the Main Shaft in all the way to the last hole setting.
- Release and engage the Pin in the storage setting.
- Rotate the Table Bed opposite from use until it has turned 180° and rests against the Crossbar of the A-Frame.
- Pull up on the Spreader Arms to fold the A-Frame (Figure 29), leaving the A-Frame legs open to a width of 12" for stability.

NOTE: This operation may pinch fingers if not done slowly and carefully.

WARNING

Tipping Hazard: For upright storage, leave A-frame open wide enough to remain stable, or secure to the wall to prevent tipping. In households with small children, the inversion table should be stored flat on the floor, not upright.



If you have any problems assembling the equipment, or questions about its use, please contact customer service at:

Distributor in Hong Kong

Miles Year Limited
802, 8/F., Park Building 476 Castle Peak Road
Cheung Sha Wan, Kowloon, Hong Kong

TEL: (852) 3575 9332 FAX: (852) 3575 9331
EMAIL: info@inversion.com.hk
URL <http://www.inversion.com.hk/>



MDSS GmbH
Schiffgraben 41
30175 Hannover, Germany



Any modification to
this device will void
the UL Listing.

U.S. and Foreign Patents Pending. Teeter Hang Ups is a registered trademark of Teeter.
Specifications subject to change without notice.

© COPYRIGHT 2012 Teeter. International Law Prohibits Any Copying.

EP-1715 0413-10